

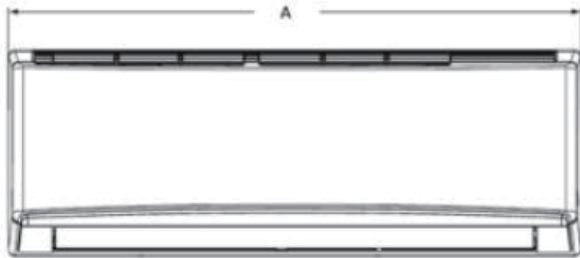
SPLIT TYPE
VIOLET
**Model:
KW24HQ2B8D**


| Item | Unit | Specification |
|--------------------------------|--------|-----------------------|
| ODU Model | — | KW24HQ2B8DO |
| IDU Model | — | KW24HQ2B8DI |
| System Ratings | | |
| Cooling Capacity | Btu/h | 22,000 |
| Heating Capacity (47°F) | Btu/h | 23,000 |
| Heating Capacity (17°F) | Btu/h | 14,600 |
| Cooling Capacity Range | Btu/h | 6,824-27,296 |
| Heating Capacity Range | Btu/h | 6,824-30,708 |
| Cooling Power Input (Max) | W | 3,000 |
| Heating Power Input (Max) | W | 3,000 |
| SEER | — | 20.0 |
| HSPF | — | 10.0 |
| EER | W/W | 12.5 |
| COP | W/W | 3.4 |
| Cooling Operation Range | °F(°C) | 0~115.0 (-18.0~46.0) |
| Heating Operation Range | °F(°C) | -4~75.0 (-20.0~24.0) |
| Gas Pipe Size (OD) | Inch | 5/8 |
| Liquid Pipe Size (OD) | Inch | 1/4 |
| Connection Method | — | Flared |
| Factory Charge | oz | 77.6 |
| Additional Charge | oz/ft | 0.54 |
| Pre-Charge Length | ft. | 25 |
| MAX Refrigerant Length | ft. | 82 |
| Min Refrigerant Pipe Length | ft. | 10 |
| MAX Refrigerant Pipe Elevation | ft. | 33 |
| Indoor Unit Data | | |
| Fan Motor Power Output | W | 60 |
| Fan Motor FLA | A | 0.4 |
| Air Flow Volume | CFM | 530/706 |
| Sound Pressure Level | dB(A) | 36/48 |
| Dehumidication | pt/hr | 4.23 |
| Power Supply | — | 208/230V / 1Ph / 60Hz |
| Min/Max Voltage | V | 187 - 253 |
| MCA | A | 20.0 |
| MOCP/Breaker Size | A | 30.0 |
| Outdoor Unit Data | | |
| Compressor Type | — | DC Inverter Rotary |
| Compressor RLA | A | 14.7 |
| Refrigerant Type | — | R410A |
| Fan Motor Power Output | W | 92 |
| Fan Motor FLA | A | 0.65 |
| Sound Pressure Level | dB(A) | 59 |
| Power Supply | — | 208/230V / 1Ph / 60Hz |
| Min/Max Voltage | V | 187 - 253 |
| Main Supply Wire Size | — | 10-2 AWG |
| MCA | A | 20.0 |
| MOCP/Breaker Size | A | 30.0 |

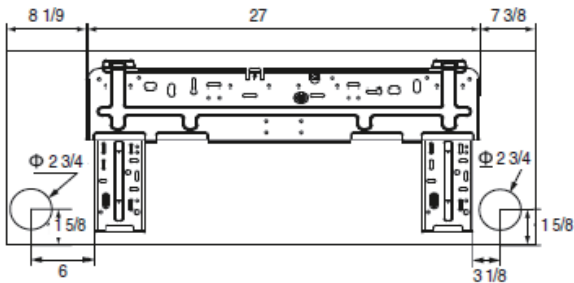
Job Name:
Schedule Reference:
Date:



Outline and Physical Dimension of KW24HQ2B8D.

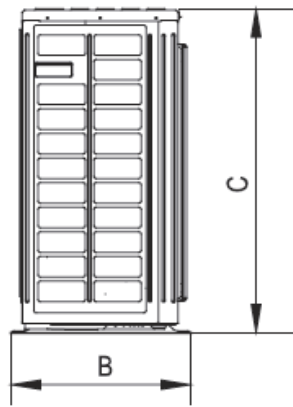
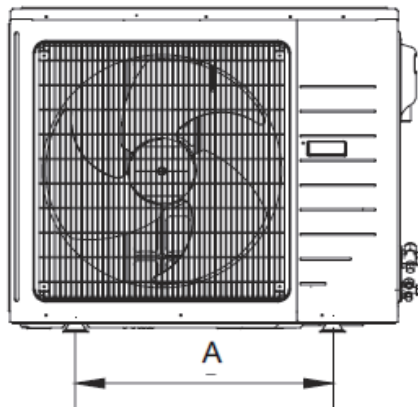


| Dimensions | |
|------------|--------|
| A | 42 3/8 |
| B | 12 3/4 |
| C | 9 3/4 |



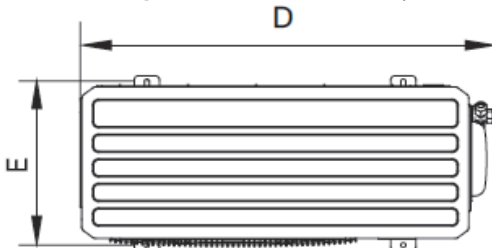
| | |
|-------------------|------------------|
| Liquid Line Valve | 1/4-in OD Flared |
| Gas Line Valve | 5/8-in OD Flared |
| Drain Connector | 5/8-in OD |

y



| Dimensions | |
|------------|--------|
| A | 24 |
| B | 16 3/4 |
| C | 31 1/8 |
| D | 38 5/8 |
| E | 14 1/2 |

y



| | |
|-------------------|------------------|
| Liquid Line Valve | 1/4-in OD Flared |
| Gas Line Valve | 5/8-in OD Flared |

| | |
|------------------|----|
| Net Weight IDU | lb |
| Gross Weight IDU | lb |
| Net Weight ODU | lb |
| Gross Weight ODU | lb |



COOLING PERFORMANCE (BtuH)*

| Outdoor Ambient DB | Indoor Ambient Temperature | | | | | | | |
|--------------------|----------------------------|--------|--------------|--------|--------------|--------|--------------|--------|
| | 68F DB (20C) | | 73F DB (23C) | | 80F DB (27C) | | 82F DB (28C) | |
| | 57F WB (14C) | | 61F WB (16C) | | 67F WB (19C) | | 68F WB (20C) | |
| | TC | SHC | TC | SHC | TC | SHC | TC | SHC |
| 5°F | 11,904 | 9,336 | 12,576 | 9,859 | 14,193 | 11,132 | 14,619 | 11,402 |
| 14°F | 14,285 | 11,204 | 15,091 | 11,831 | 17,031 | 13,358 | 17,542 | 13,683 |
| 23°F | 15,651 | 12,277 | 16,740 | 13,131 | 19,181 | 15,044 | 19,756 | 15,410 |
| 32°F | 16,198 | 12,707 | 17,326 | 13,591 | 19,852 | 15,570 | 20,448 | 15,949 |
| 41°F | 16,765 | 13,151 | 17,933 | 14,066 | 20,547 | 16,115 | 21,163 | 16,507 |
| 50°F | 17,352 | 13,612 | 18,560 | 14,559 | 21,266 | 16,679 | 21,904 | 17,085 |
| 59°F | 18,979 | 14,885 | 20,300 | 15,921 | 22,233 | 17,433 | 22,900 | 17,862 |
| 68°F | 21,494 | 16,858 | 22,838 | 17,909 | 24,405 | 19,141 | 25,137 | 19,607 |
| 77°F | 21,241 | 16,662 | 22,592 | 17,720 | 24,181 | 18,967 | 24,907 | 19,427 |
| 86°F | 20,196 | 15,838 | 21,539 | 16,896 | 23,510 | 18,438 | 24,215 | 18,888 |
| 95°F | 19,114 | 14,991 | 20,450 | 16,034 | 22,390 | 17,561 | 23,062 | 17,988 |
| 104°F | 18,188 | 14,265 | 19,517 | 15,308 | 21,808 | 17,108 | 22,462 | 17,520 |
| 113°F | 17,255 | 13,532 | 18,584 | 14,575 | 20,882 | 16,374 | 21,509 | 16,777 |

HEATING PERFORMANCE (BtuH)*

| Outdoor Ambient DB | Indoor Ambient Temperature | | | | | | | |
|--------------------|----------------------------|-------|--------------|-------|--------------|-------|--------------|-------|
| | 68F DB (20C) | | 73F DB (23C) | | 80F DB (27C) | | 86F DB (30C) | |
| | 57F WB (14C) | | 61F WB (16C) | | 67F WB (19C) | | 72F WB (22C) | |
| | TC | SHC | TC | SHC | TC | SHC | TC | SHC |
| -4°F | 13068 | 13068 | 12848 | 12848 | 12465 | 12465 | 12329 | 12329 |
| 0°F | 14160 | 14160 | 13924 | 13924 | 13509 | 13509 | 13351 | 13351 |
| 6°F | 14938 | 14938 | 14687 | 14687 | 14249 | 14249 | 14082 | 14082 |
| 10°F | 15559 | 15559 | 15300 | 15300 | 14844 | 14844 | 14671 | 14671 |
| 16°F | 16030 | 16030 | 15763 | 15763 | 15293 | 15293 | 15111 | 15111 |
| 19°F | 16337 | 16337 | 16070 | 16070 | 15591 | 15591 | 15402 | 15402 |
| 24°F | 18176 | 18176 | 17901 | 17901 | 17367 | 17367 | 17240 | 17240 |
| 32°F | 20313 | 20313 | 20038 | 20038 | 19441 | 19441 | 19378 | 19378 |
| 41°F | 22757 | 22757 | 22490 | 22490 | 21819 | 21819 | 21822 | 21822 |
| 43°F | 23370 | 23370 | 23095 | 23095 | 22406 | 22406 | 22435 | 22435 |
| 47°F | 23516 | 23516 | 23108 | 23108 | 22420 | 22420 | 22104 | 22104 |
| 53°F | 23749 | 23749 | 23334 | 23334 | 22639 | 22639 | 22323 | 22323 |
| 59°F | 24294 | 24294 | 23865 | 23865 | 23154 | 23154 | 22832 | 22832 |
| 64°F | 24811 | 24811 | 24374 | 24374 | 23648 | 23648 | 23319 | 23319 |
| 70°F | 25277 | 25277 | 24840 | 24840 | 24100 | 24100 | 23763 | 23763 |
| 75°F | 25633 | 25633 | 25182 | 25182 | 24432 | 24432 | 24091 | 24091 |

* Maximum system capacity

TC- Total Capacity (BtuH)

SHC- Sensible Capacity (BtuH)



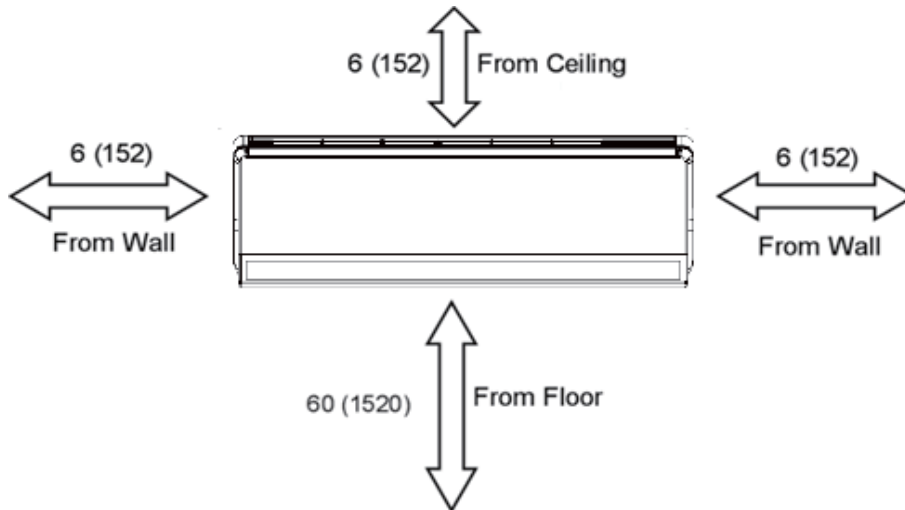
DIMENSIONAL SPECIFICATIONS

KW24HQ2B8D

MINIMUM SPACING REQUIREMENTS

Units: inch (mm)

INDOOR



Units: inch (mm)

OUTDOOR

